

X33J PLUS

COMPACT CRAWLER BOOM

BOOM LIFT



Performance

Working Height	32.48 m
Platform Height	30.48 m
Working Horizontal Outreach	16.5 m
Up & Over Height	17.20 m
Swing (non continuous)	360°
Jib - overall length	1.30 m
Jib - range of articulation (+/-)	180° (+85/-95°)
Platform Capacity	230 kg unrestricted
Platform size	0.70 m x 1.60 m
Platform Rotation	180° (+/- 90°)
Stowed width (with platform)	1.60 m
Width of Undercarriage (Retracted/Extended)	1.19 m / 1.70 m
Machine weight ¹	7,860 kg
Max. Ground Bearing Pressure on Outriggers	4.8 kg/cm ²
Max. Ground Bearing Pressure on Tracks	0.8 kg/cm ²
Gradeability	28%
Maximum operating slope	16°
Max. Approach / Depart angles	Front 18° / Rear 16°

¹ Certain options or country standards may increase weight and/or dimensions.



Standard Specifications

Power Source

Bi-Energy

- Kubota D902 16.1 kw (21.6cHP) Diesel T4F (Stage 5) Engine
- 150 Ah/ 76 V Electric engine with Lithium battery package including battery charger

Tracks

- Non-marking rubber tracks 2.10 m x 0.30 m x 0.51 m

Standard Features

- 0.70 m x 1.60 m Aluminium 2 person platform
- SkyGuard
- Quick Stick
- Go Home Function
- Slide bar rear entry
- Footswitch
- Full proportional control
- Articulating jib
- Remote Control (via cable to platform)
- Full Remote Control of drive and stabilization
- Multi-lingual LCD display on platform console
- Platform console position sensor and lock
- Envelope management load sensing system
- Platform designed for ease of removal/changeover
- Engine protection
- Cylinder Rod Protection on Outriggers
- Automatic cut-out when out of level
- Powered track extensions/retraction
- Turntable alignment sensor and gauge
- Emergency descent systems
- Electro-hydraulic controls
- Full pressure hydraulic controls
- Lifting/Tie down points
- Forklift pockets
- AS/NZS 1418.10 Compliance

X33J PLUS

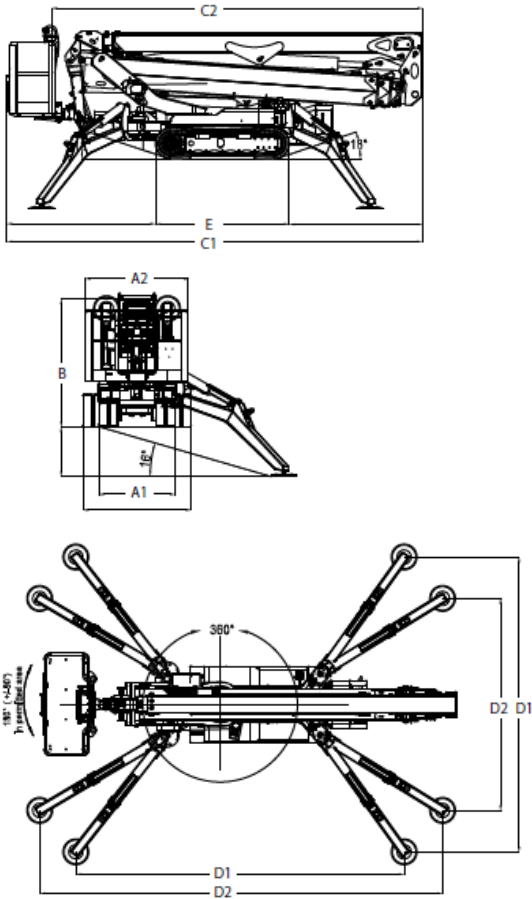
COMPACT CRAWLER BOOM

BOOM LIFT



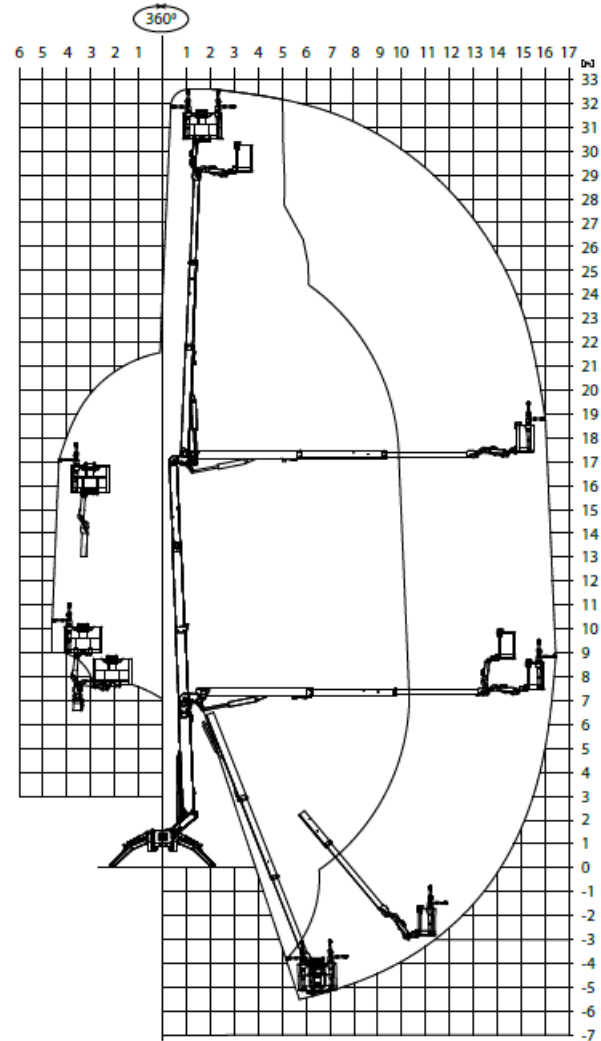
Dimensions

All dimensions are approximate.



A1. Stowed width (without platform)	1.19 m
A2. Stowed width with Platform	1.60 m
B. Stowed height (on tracks)	1.99 m
C1. Stowed length (on tracks) with Platform	6.50 m
C2. Stowed length (on tracks) without Platform	5.80 m
D. Outrigger footprint	
D1. Wide	5.14 m x 4.60 m
D2. Narrow	6.30 m x 3.30 m
E. Track Length	2.10 m

Reach Diagram



The JLG "1 & 5" Warranty

JLG Industries, Inc. backs its products with its exclusive "1 & 5" Warranty. We provide coverage on all products for one (1) full year and cover all specified major structural components for five (5) years. Due to continuous product improvements, we reserve the right to make specification and/or equipment changes without prior notification. This machine meets or exceeds AS/NZS 1418.10 2011 as originally manufactured for intended applications.

R060622



JLG Industries (Australia)

358 Park Road
Regents Park, NSW 2143
Telephone 02 8718 6300
Fax 02 8718 6377

www.jlg.com.au

An Oshkosh Corporation Company