

METRO-POD SERIES II

LIGHTING TOWER



Performance

Height Stowed	2.41 m
Length Stowed	
Towbar in Transport Position	2.23 m
Towbar in Towing Position	2.90 m
Stowed Width	1.75 m
Weight GVM	1100 kg
Length with Outriggers Extended	2.34 m
Width with Outriggers Extended	2.15 m
Mast Max. Elevation	5.76 m
Wind Speed Rating	100 km/hr

Standard Specifications

Power

Engine	Kubota Z482
Emission Level	Tier 4 Final
Fuel Type	Diesel
Fuel Consumption (litre per hour)	0.9 L/hr
Running Time (hours)	130+ hours
Generator	48 V DC
Lights	LED
Light Power	3 x 600 W
Lighthouse Output	180,000 lumen
Control System	Electronic Control
Noise Level @ 7m radius	< 62 dB(A)
Fuel Tank Capacity	125 L

Travel

Wheels Sunraysia Style	14"x6J
Tyres	185R14C
Towing Speed (maximum)	80 km/ hr

Mast System

Lift	Hydraulic
Mast Lift Time	20 seconds
Mast Lower Time	12.5 seconds
Hydraulic System Pump	
Voltage	12V DC
Pressure	240 bar (3500psi)
Flow Rate	0.78 cm ³ /rev
Function Control	Electric over Hydraulic



Standard Features

- 1000 hour engine oil service interval
- Electronic Module including Auto-Start and Advanced Engine Management
- External Emergency Stop
- Lockable Battery Isolator
- Moulded Hoods
- Bundling for all Fluids (120%)
- Forklift Tyne Pockets
- Crane Lifting Point
- Folding Drawbar
- Long Extension Wind Down Outriggers
- Torsion Independent Axle
- Cable Disc Over-ride Brakes
- Sunraysia Style Rims
- LED Trailer Traffic Lights
- 7 Pin Flat Trailer Plug

Accessories & Options

- Battery Isolator LockSafe
- Starter Isolator Lockable
- Starter Isolator LockSafe
- Burst Protection On Hydraulic Hosing
- Jump Start Receptacle
- Wheel Chocks
- Steel Hoods
- 4.5 kg Fire Extinguisher
- Rotating Amber Beacon or Strobe Light

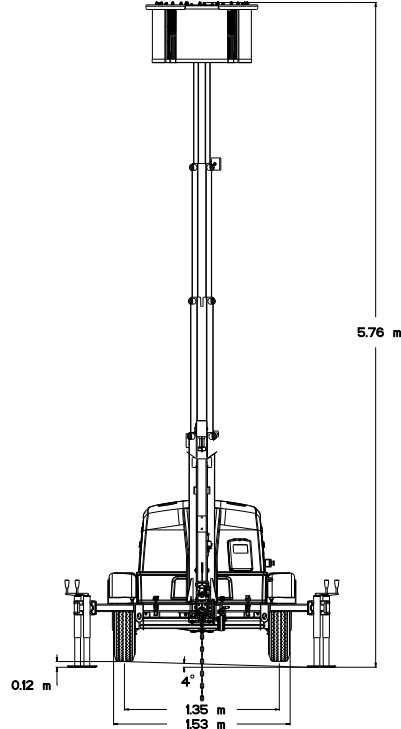
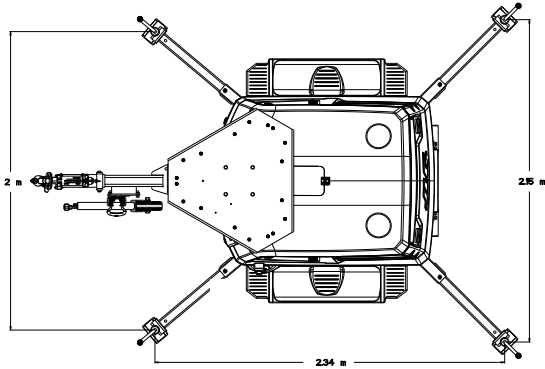
METRO-POD SERIES II

LIGHTING TOWER

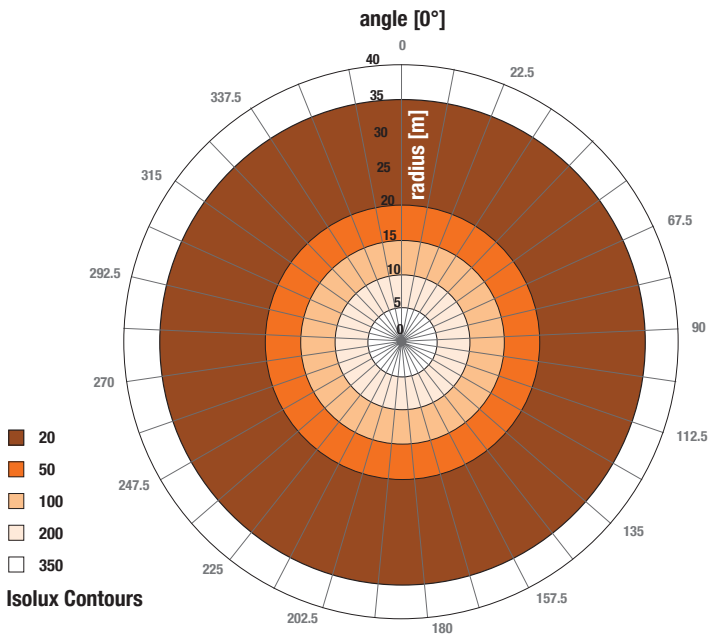


Dimensions

All dimensions are approximate.



Isolux Plot



The JLG "1 & 5" Warranty

JLG Industries, Inc. backs its products with its exclusive "1 & 5" Warranty. We provide coverage on all products for one (1) full year and cover all specified major structural components for five (5) years. Due to continuous product improvements, we reserve the right to make specification and/or equipment changes without prior notification.

Part No.: 111319
R102419

JLG Industries (Australia)

358 Park Road
Regents Park, NSW 2143
Telephone 02 8718 6300
Fax 02 8718 6377
www.jlg.com.au

An Oshkosh Corporation Company